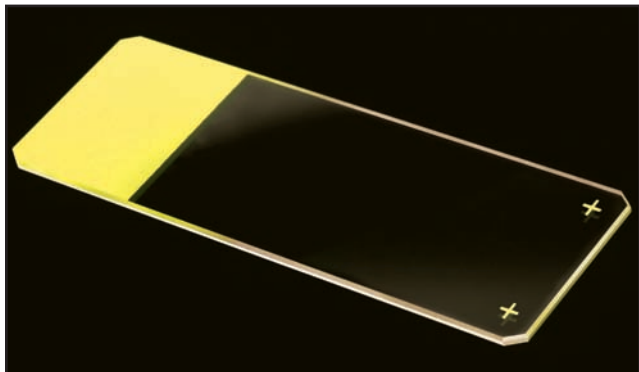


## White Glass Charged Microscope Slides, Clipped Corners, Beveled Edges

Item# 1354P, 1354W, 1354Y



1354Y - Yellow color coded positive charged slide.  
(Available by special order.)



### Applications

- Manual and automatic IHC staining
- Routine H & E staining of detachable tissue sections, frozen sections, cytocentrifuge preparations and standard Papanicolaou smears

### Description

Produced from the finest quality white glass, Globe Scientific's charged microscope slides provide the ideal surface for cell and tissue adhesion. These popular slides are ideal for use in histology, cytology and pathology departments, where the convenience of an adhesive slide saves the user time and money. They are available in assorted colors and are pre-cleaned and ready to use.

### Features

- Produced from the finest quality optical white glass
- Charged surface allows cells and tissues to adhere to the slide
- Packed in high-quality plastic boxes
- All slides are pre-cleaned and ready to use
- Clipped corners, beveled edges
- Dimensions: 25mm x 75mm (±0.5mm)
- Thickness: 1.1mm

### Packaging:

- 72/plastic box, 20 boxes/case (10 gross)



### Products

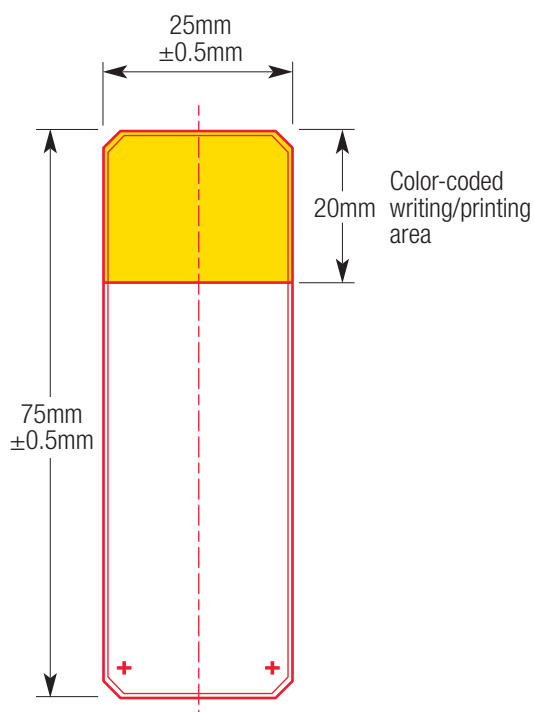
Item#	Description		Unit
1354P*	Frosted, pink	●	1440
1354W	Frosted, white	○	1440
1354Y*	Frosted, yellow	●	1440

\*Available by special order.

Continued . . .

## White Glass Charged Microscope Slides, Clipped Corners, Beveled Edges

Item# 1354P, 1354W, 1354Y



### Technical Specifications

#### Dimensions:

Width: 25mm (±0.5mm)  
Length: 75mm (±0.5mm)  
Thickness: 1.1mm

#### Chemical Composition: Substance by Weight(%)

Silicon Dioxide, SiO<sub>2</sub>: 72.87  
Sodium Oxide, Na<sub>2</sub>O: 13.64  
Potassium Oxide, K<sub>2</sub>O: 1.51  
Calcium Oxide, CaO: 6.44  
Magnesium Oxide, MgO: 3.68  
Aluminum Oxide, Al<sub>2</sub>O<sub>3</sub>: 1.27  
Ferric Oxide, Fe<sub>2</sub>O<sub>3</sub>: 0.015  
Sulfur Trioxide, SO<sub>3</sub>: 0.15

#### Physical and Chemical Properties:

Thermal Coefficient of Expansion: (30°C~300°C) 9.03×10<sup>-6</sup>/°C  
Softening Point: 743.0°C  
Annealing Range: 567.2°C  
Strain Point: 522.1°C  
Density: 2.4336 g/cm<sup>3</sup>

#### Stability and Reactivity:

Stability: Stable  
Hydrolytic Resistance: Hydrolytic Class-HGB3 (ISO 719 or GB/T 6582)  
Acid Resistance: Acid Class-H2 (DIN 12 116 or GB/T 15728)  
Alkali Resistance: Alkali Class-A2 (DIN ISO 695 or GB/T 6580)  
Hazardous Decomposition: Stable  
Materials to Avoid: Strong Hot Alkali Solutions (Hydrofluoric, Fluosilicic and Phosphoric)



#### Customer service, sales and technical support:

Phone 1 (800) 394-4562 • 1 (201) 599-1400  
Fax 1 (201) 599-1406  
E-mail mail@globescientific.com

#### Globe Scientific Inc.

400 Corporate Drive • Mahwah NJ 07430

[www.globescientific.com](http://www.globescientific.com)